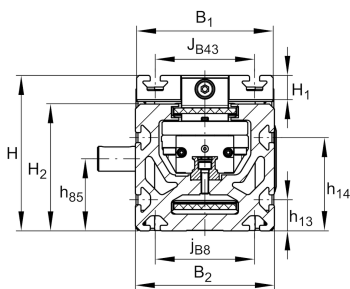
**MKUVE25-500-LN-ZR-W2** [↗](#)

## Módulo lineal

Actuators with four-row linear recirculating ball bearing and guideway assembly, monorail guidance system and toothed belt drive. Low Noise design with second, driven carriage

## Información técnica



## Variante de su producto actual

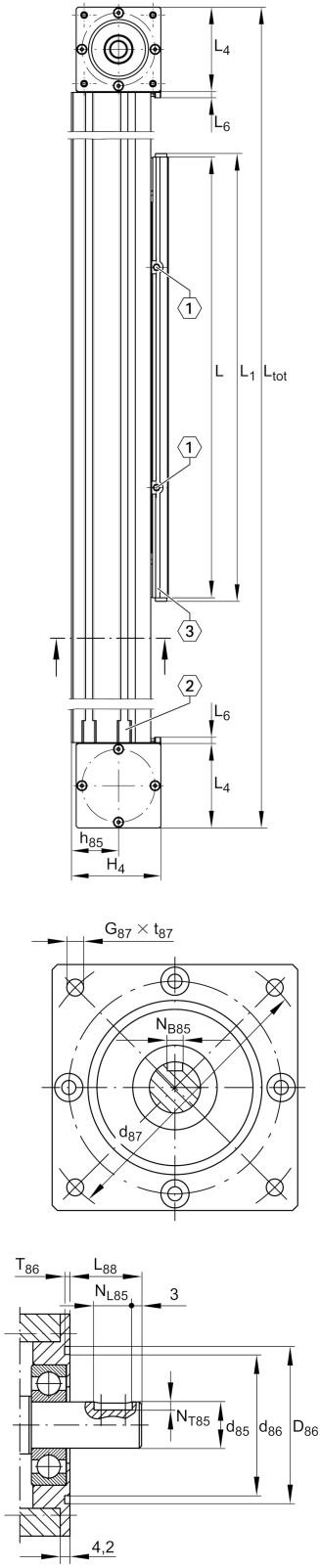
Size code	25	
Length of carriage	500	500 mm
Ejecución	LN	Low-Noise
Drive type	(3)ZR	Toothed belt drive
Additional carriage	W2	Second, driven carriage
Attachment to the carriage	/	Threaded holes

## n.r.

/	Support Rail Design
---	---------------------

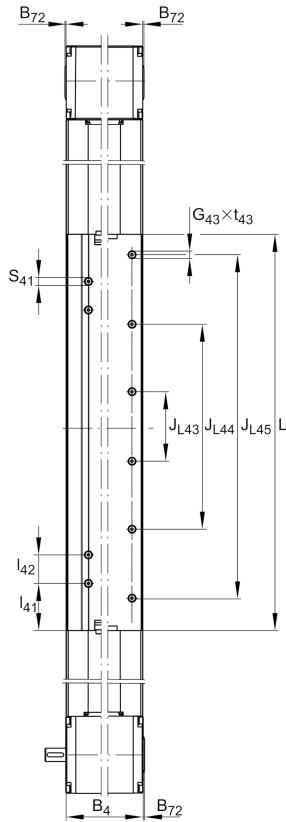
## Medidas principales y datos de rendimiento

B 2	112 mm	Total Width
H	125 mm	Total Height
L	500 mm	Length of Carriage



**Medidas de montaje**

B 1	110 mm	Width of Carriage
D 86	95 mm	
Tol D 86	G7	Tolerance
D 87	115 mm	
d 85	20 mm	Tolerance h7
d 86	76 mm	
G 43	M10	
G 87	M8	
h 13	25 mm	
h 14	75 mm	
J B43	80 mm	
Tol J B43	0,1	Upper Tolerance
Tol J B43	0,1	Lower Tolerance
J L43	90 mm	
J L44	270 mm	
J L45	450 mm	
j B8	80 mm	
L 2 max	8.000 mm	Maximum length of Support Rail
L 88	31 mm	
N B85	6 mm	Tolerance P9
N L85	25 mm	Length of Keyway
N T85	3,5 mm	Depth of Keyway
t 43 max	20 mm	Depth of Thread
t 87 max	15 mm	Depth of Thread



### Medidas

B <sub>72</sub>	2 mm	
H <sub>1</sub>	21 mm	Height of Carriage
H <sub>2</sub>	102 mm	Height of Support Rail
H <sub>4</sub>	115,7 mm	Height of Return Unit
h <sub>85</sub>	58 mm	
L <sub>1</sub>	513 mm	
L <sub>4</sub>	115,5 mm	Length of Return Unit
L <sub>6</sub>	6 mm	Length of Wiper Brushes
L <sub>x1 min</sub>	50 mm	
B <sub>4</sub>	111 mm	Width of Return Unit
T <sub>86</sub>	4 mm	Depth Fit
Tol T <sub>86</sub>	0 mm	Lower tolerance
Tol T <sub>86</sub>	0,5 mm	Upper Tolerance

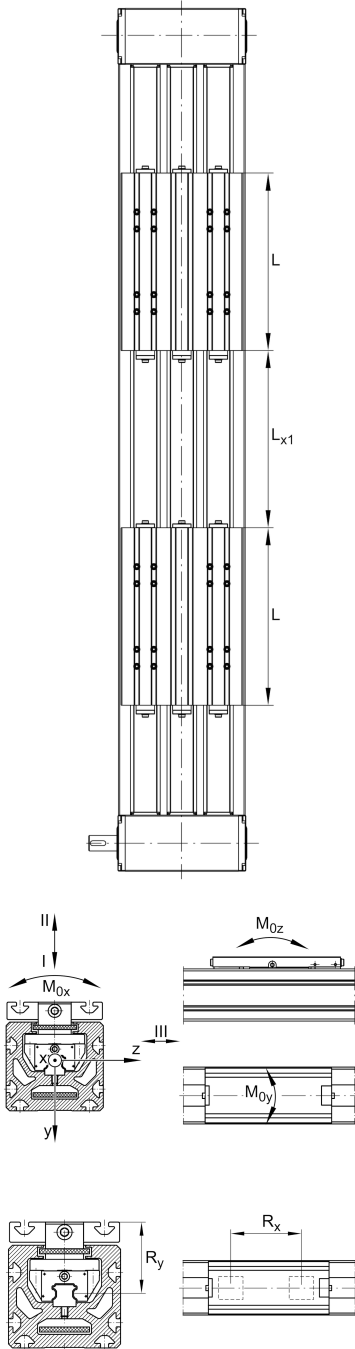


### Datos técnicos

$R_x$	360 mm	
$R_y$	71,8 mm	
S	85 mm	Safety Distance
$m_{LAW}$	6,77 kg	
$m_3$	6,77 kg	Mass of additional Carriage
$v_{max}$	5 m/s	Maximum Speed
$a_{max}$	30 m/s <sup>2</sup>	Maximum Acceleration
I C	29.000 N	Load direction I: compressive load
I C <sub>0</sub>	74.000 N	Load direction I: compressive load
II C	29.000 N	Load direction II: tensile load
II C <sub>0</sub>	74.000 N	Load direction II: tensile load
III C	29.000 N	Load direction III: lateral load
III C <sub>0</sub>	74.000 N	Load direction III: lateral load
$M_{0x \text{ per}}$	1.000 Nm	Max. permissible static moment per Carriage
$M_{0y \text{ per}}$	10.000 Nm	Max. permissible static moment per Carriage
$M_{0z \text{ per}}$	10.000 Nm	Max. permissible static moment per Carriage
$I_y$	712 cm <sup>4</sup>	Geometrical moments of inertia of Support Rail
$I_z$	506 cm <sup>4</sup>	Geometrical moments of inertia of Support Rail

### Información adicional

75 Nm	Max. permissible drive torque
2xKWVE25-B	Carriage
0,1 mm	Repeat Accuracy ±
250 mm	Feed (mm/rotation)
50BATAK10	Toothed Belt
0,29 kg/m	Mass of Toothed Belt
1.880 N	Permissible Toothed Belt operating force
14,7 kg*cm <sup>2</sup>	Mass moment of inertia of Gears





### Rango de temperatura

---

max	80 °C	Maximum operating Temperatur
min	0 °C	Minimum operating Temperatur