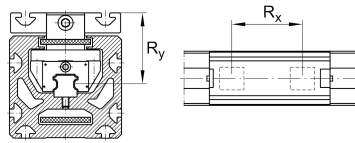
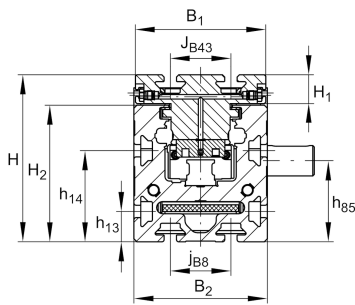
**MKUVE20-500-C-LN-ZR-W2-N-FA517.1** [↗](#)

## Módulo lineal

Actuators with four-row linear recirculating ball bearing and guideway assembly, monorail guidance system and toothed belt drive. Low Noise design with support rail in two segments and fixing slots in carriage

## Información técnica



## Variante de su producto actual

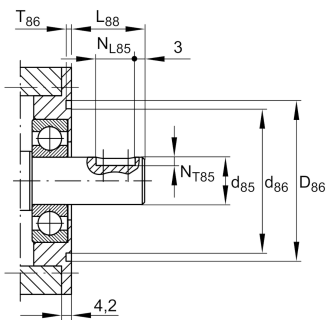
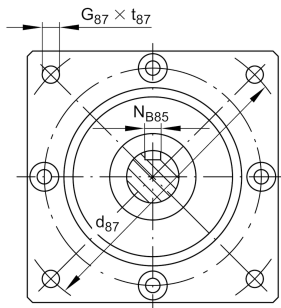
Size code	20	
Length of carriage	500	500 mm
Ejecución	LN	Low-Noise
Drive type	(3)ZR	Toothed belt drive
Additional carriage	W2	Second, driven carriage
Attachment to the carriage	N	T-Slots

## n.r.

FA517.1	Support Rail Design
---------	---------------------

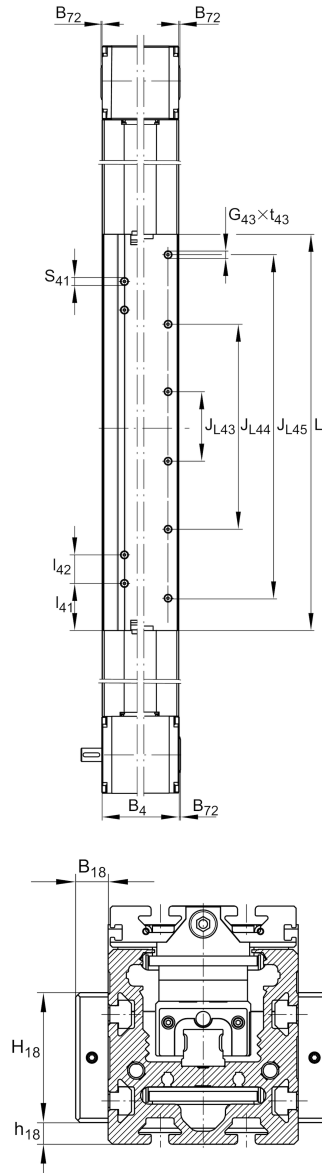
## Medidas principales y datos de rendimiento

B 2	88 mm	Total Width
H	110 mm	Total Height
L	500 mm	Length of Carriage



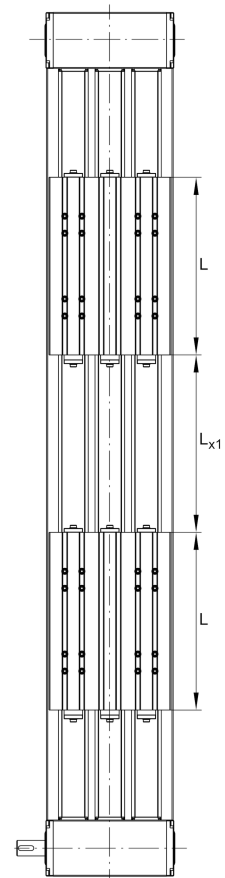
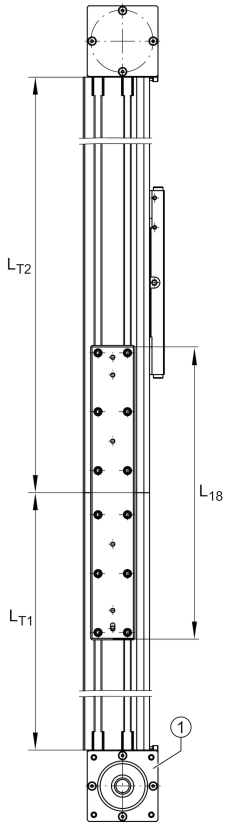
### Medidas de montaje

B 1	86 mm	Width of Carriage
D 86	68 mm	
Tol D 86	G7	Tolerance
D 87	110 mm	
d 85	20 mm	Tolerance h7
d 86	61 mm	
G 87	M6	
h 13	20 mm	
h 14	60 mm	
h 18	10 mm	
J B43	40 mm	
j B8	40 mm	
L 2 max	16.000 mm	Maximum length of Support Rail
L 88	31 mm	
N B85	6 mm	Tolerance P9
N L85	25 mm	Length of Keyway
N T85	3,5 mm	Depth of Keyway
S 41	10 mm	
t 87 max	24 mm	Depth of Thread



### Medidas

B 18	15 mm	
H 1	19 mm	Height of Carriage
H 2	90 mm	Height of Support Rail
H 4	101,4 mm	Height of Return Unit
H 18	60 mm	
h 85	53,4 mm	
L 1	510 mm	
L 4	97 mm	Length of Return Unit
L 6	6 mm	Length of Wiper Brushes
L 18	400 mm	
l 41	59,5 mm	
l 42	36 mm	
L x1 min	50 mm	
B 4	89 mm	Width of Return Unit
T 86	2,3 mm	Depth Fit
Tol T 86	0 mm	Lower tolerance
Tol T 86	0,3 mm	Upper Tolerance

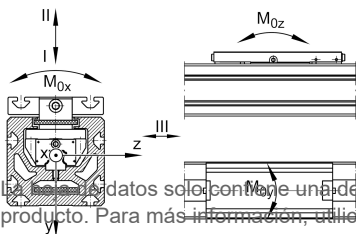


Datos técnicos

$R_x$	345 mm	
$R_y$	63 mm	
S	85 mm	Safety Distance
$m_{LAW}$	4,07 kg	
$m_3$	4,07 kg	Mass of additional Carriage
$v_{max}$	5 m/s	Maximum Speed
$a_{max}$	30 m/s <sup>2</sup>	Maximum Acceleration
I C	21.300 N	Load direction I: compressive load
I C <sub>0</sub>	54.000 N	Load direction I: compressive load
II C	21.300 N	Load direction II: tensile load
II C <sub>0</sub>	54.000 N	Load direction II: tensile load
III C	21.300 N	Load direction III: lateral load
III C <sub>0</sub>	54.000 N	Load direction III: lateral load
$M_{0x \text{ per}}$	664 Nm	Max. permissible static moment per Carriage
$M_{0y \text{ per}}$	5.800 Nm	Max. permissible static moment per Carriage
$M_{0z \text{ per}}$	7.100 Nm	Max. permissible static moment per Carriage
$I_y$	300 cm <sup>4</sup>	Geometrical moments of inertia of Support Rail
$I_z$	198 cm <sup>4</sup>	Geometrical moments of inertia of Support Rail

Información adicional

	68,8 Nm	Max. permissible drive torque
	2xKWVE20-B-SN	Carriage
	0,1 mm	Repeat Accuracy ±
	200 mm	Feed (mm/rotation)
	50BATAK10	Toothed Belt
	0,29 kg/m	Mass of Toothed Belt
	1.880 N	Permissible Toothed Belt operating force
	5 kg*cm <sup>2</sup>	Mass moment of inertia of Gears





### Rango de temperatura

---

max	80 °C	Maximum operating Temperatur
min	0 °C	Minimum operating Temperatur