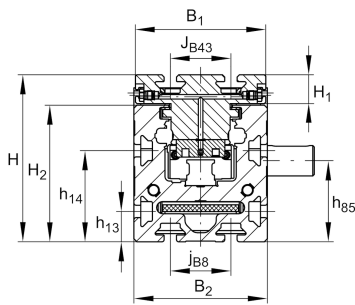


## MKUVE20-250-C-ZR-W2-N [↗](#)

### Módulo lineal

Actuators with four-row linear recirculating ball bearing and guideway assembly, monorail guidance system and toothed belt drive. With second, driven carriage and fixing slots in carriage

## Información técnica



### Variante de su producto actual

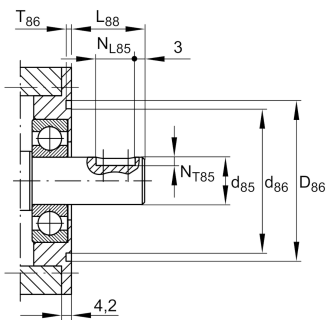
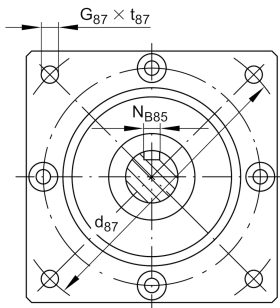
Size code	20	
Length of carriage	250	250 mm
Ejecución	/	Basis
Drive type	(3)ZR	Toothed belt drive
Additional carriage	W2	Second, driven carriage
Attachment to the carriage	N	T-Slots

### n.r.

/	Support Rail Design
---	---------------------

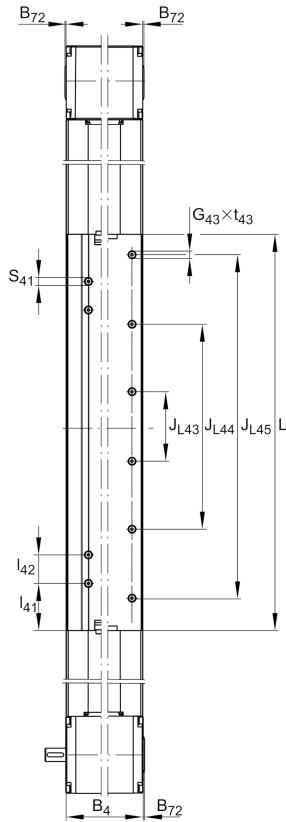
### Medidas principales y datos de rendimiento

B 2	88 mm	Total Width
H	110 mm	Total Height
L	250 mm	Length of Carriage



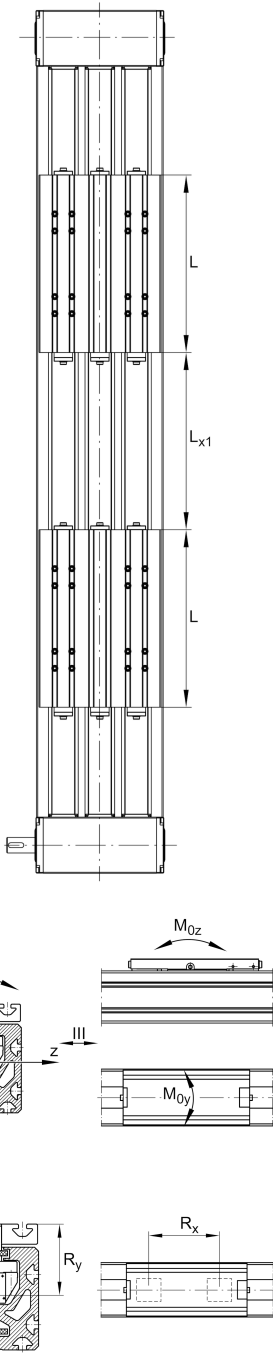
### Medidas de montaje

B 1	86 mm	Width of Carriage
D 86	68 mm	
Tol D 86	G7	Tolerance
D 87	110 mm	
d 85	20 mm	Tolerance h7
d 86	61 mm	
G 87	M6	
h 13	20 mm	
h 14	60 mm	
J B43	40 mm	
j B8	40 mm	
L 2 max	8.000 mm	Maximum length of Support Rail
L 88	31 mm	
N B85	6 mm	Tolerance P9
N L85	25 mm	Length of Keyway
N T85	3,5 mm	Depth of Keyway
S 41	10 mm	
t 87 max	24 mm	Depth of Thread



### Medidas

H <sub>1</sub>	19 mm	Height of Carriage
H <sub>2</sub>	90 mm	Height of Support Rail
H <sub>4</sub>	101,4 mm	Height of Return Unit
h <sub>85</sub>	53,4 mm	
L <sub>1</sub>	260 mm	
L <sub>4</sub>	97 mm	Length of Return Unit
L <sub>6</sub>	6 mm	Length of Wiper Brushes
l <sub>41</sub>	59,5 mm	
l <sub>42</sub>	36 mm	
L x1 min	50 mm	
B <sub>4</sub>	89 mm	Width of Return Unit
T <sub>86</sub>	2,3 mm	Depth Fit
Tol T <sub>86</sub>	0 mm	Lower tolerance
Tol T <sub>86</sub>	0,3 mm	Upper Tolerance



**Datos técnicos**

$R_x$	95 mm	
$R_y$	63 mm	
S	85 mm	Safety Distance
$m_{LAW}$	2,5 kg	
$m_3$	2,5 kg	Mass of additional Carriage
$v_{max}$	5 m/s	Maximum Speed
$a_{max}$	30 m/s <sup>2</sup>	Maximum Acceleration
I C	21.300 N	Load direction I: compressive load
I C <sub>0</sub>	54.000 N	Load direction I: compressive load
II C	21.300 N	Load direction II: tensile load
II C <sub>0</sub>	54.000 N	Load direction II: tensile load
III C	21.300 N	Load direction III: lateral load
III C <sub>0</sub>	54.000 N	Load direction III: lateral load
$M_{0x \text{ per}}$	664 Nm	Max. permissible static moment per Carriage
$M_{0y \text{ per}}$	1.150 Nm	Max. permissible static moment per Carriage
$M_{0z \text{ per}}$	1.400 Nm	Max. permissible static moment per Carriage
$I_y$	300 cm <sup>4</sup>	Geometrical moments of inertia of Support Rail
$I_z$	198 cm <sup>4</sup>	Geometrical moments of inertia of Support Rail

**Información adicional**

68,8 Nm	Max. permissible drive torque
2xKWVE20-B-SN	Carriage
0,1 mm	Repeat Accuracy ±
200 mm	Feed (mm/rotation)
50AT10	Toothed Belt
0,29 kg/m	Mass of Toothed Belt
1.880 N	Permissible Toothed Belt operating force
5 kg*cm <sup>2</sup>	Mass moment of inertia of Gears



### Rango de temperatura

---

max	80 °C	Maximum operating Temperatur
min	0 °C	Minimum operating Temperatur