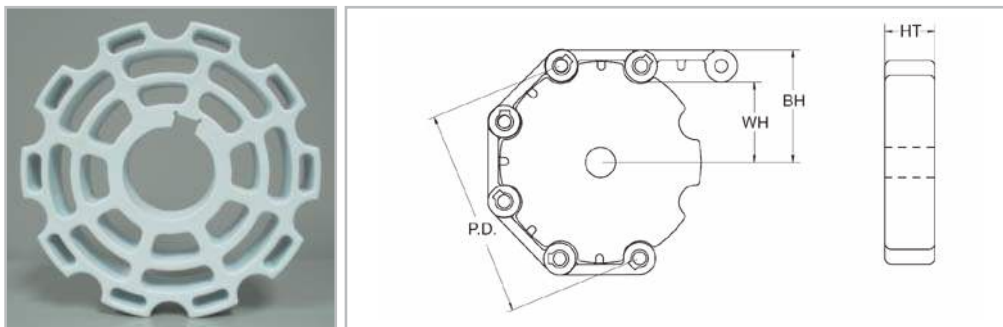


HabasitLINK® sprockets – 2" pitch belting HDS620, HDSCT620, HDSVT620, HDSEZR620



Molded sprocket

Sprocket part number	Number of teeth	(PD) Nominal pitch diameter		(WH) Shaft center to top of wearstrip		HDS / HDSVT (BH) Shaft center to top of belt		Heavy Duty Curve Top (BH) Shaft center to top of belt curve		Heavy Duty Easy Release (BH) Shaft center to top of belt nub		(HT) Hub thickness	
		inch	mm	inch	mm	inch	mm	inch	mm	inch	mm	inch	mm
HDS72006	6	4.00	102	1.33	34	2.19	56	2.32	59	2.28	58	1.25	32
HDS72008M	8	5.23	133	2.01	51	2.81	71	2.94	75	2.90	74	1.25	32
HDS72010M	10	6.47	162	2.68	68	3.43	87	3.56	90	3.52	89	1.25	32
HDS72010S	10	6.47	162	2.68	68	3.43	87	3.56	90	3.52	89	1.25	32
HDS72012M	12	7.73	196	3.33	86	4.06	103	4.19	106	4.15	105	1.25	32
HDS72016	16	10.25	260	4.63	118	5.49	139	5.62	143	5.58	142	1.25	32

M = molded sprocket, S = machined split sprocket

Split sprockets and other tooth sizes are available. Standard machined sprocket material is UHMW, Nylon and Urethane are available.

Sprocket part number	Available bore size															
	25 mm	1"	1" sq.	30 mm	1-1/4"	1-7/16"	1-1/2"	1-1/2" sq.	40 mm	40 mm sq.	1-15/16"	50 mm	50 mm sq.	60 mm	2"	2-1/2" sq.
HDS72006	✓	✓	✓	✓	✓	✓	✓	✓	✓	✓	✓	✓	✓	–	–	–
HDS72008M	–	✓	–	✓	–	✓	✓	✓	✓	✓	✓	✓	✓	–	✓	–
HDS72010M	–	✓	–	✓	–	✓	✓	✓	✓	✓	✓	✓	✓	✓	✓	✓
HDS72010S	✓	✓	✓	✓	✓	✓	✓	✓	✓	✓	✓	✓	✓	✓	✓	✓
HDS72012M	–	✓	–	✓	–	✓	✓	✓	✓	✓	✓	✓	✓	✓	✓	✓
HDS72016	✓	✓	✓	✓	✓	✓	✓	✓	✓	✓	✓	✓	✓	✓	✓	✓

M = molded sprocket, S = machined split sprocket

All bore sizes are round bore unless designated square (sq.).