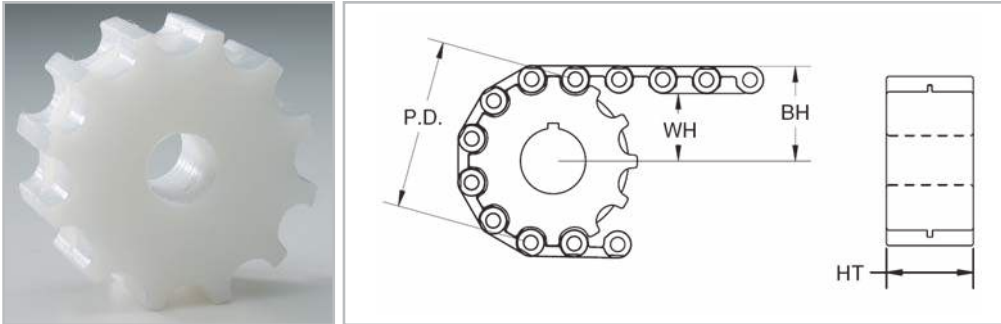


# HabasitLINK® sprockets – 1/2" pitch belting

## HDS605 FT, HDS605 TT



Machined sprocket

Sprocket part number	Number of teeth	(PD) Nominal pitch diameter		(WH) Shaft center to top of wearstrip		(BH) Shaft center to top of belt		(HT) Hub thickness	
		inch	mm	inch	mm	inch	mm	inch	mm
HDS70512	12	1.93	49	0.79	20	1.10	28	1	25
HDS70515	15	2.40	61	1.02	26	1.33	34	1	25
HDS70520	20	3.20	81	1.42	36	1.73	44	1	25
HDS70536	36	5.74	146	2.69	68	3.00	76	1	25

Split sprockets and other tooth sizes are available. Standard machined sprocket material is UHMW, Nylon and Urethane are available.

Sprocket part number	Available bore size																
	1/2"	3/4"	20 mm	25 mm	1"	1" sq.	30 mm	1-1/4"	1-7/16"	1-1/2"	1-1/2" sq.	40 mm	40 mm sq.	1-15/16"	50 mm	2"	
HDS70512	✓	✓	✓	✓	✓	-	✓	-	-	-	-	-	-	-	-	-	-
HDS70515	✓	✓	✓	✓	✓	-	✓	✓	✓	-	-	-	-	-	-	-	-
HDS70520	✓	✓	✓	✓	✓	✓	✓	✓	✓	✓	-	-	-	-	-	-	-
HDS70536	✓	✓	✓	✓	✓	✓	✓	✓	✓	✓	✓	✓	✓	✓	✓	✓	✓

All bore sizes are round bore unless designated square (sq.).